

BMK62S **PUSHER LEG (AIR LEG)**



HAVA

Mining and Rock Drilling Air Tools

**WORLD-CLASS
TECHNOLOGY**
for Mining & Rock Drilling

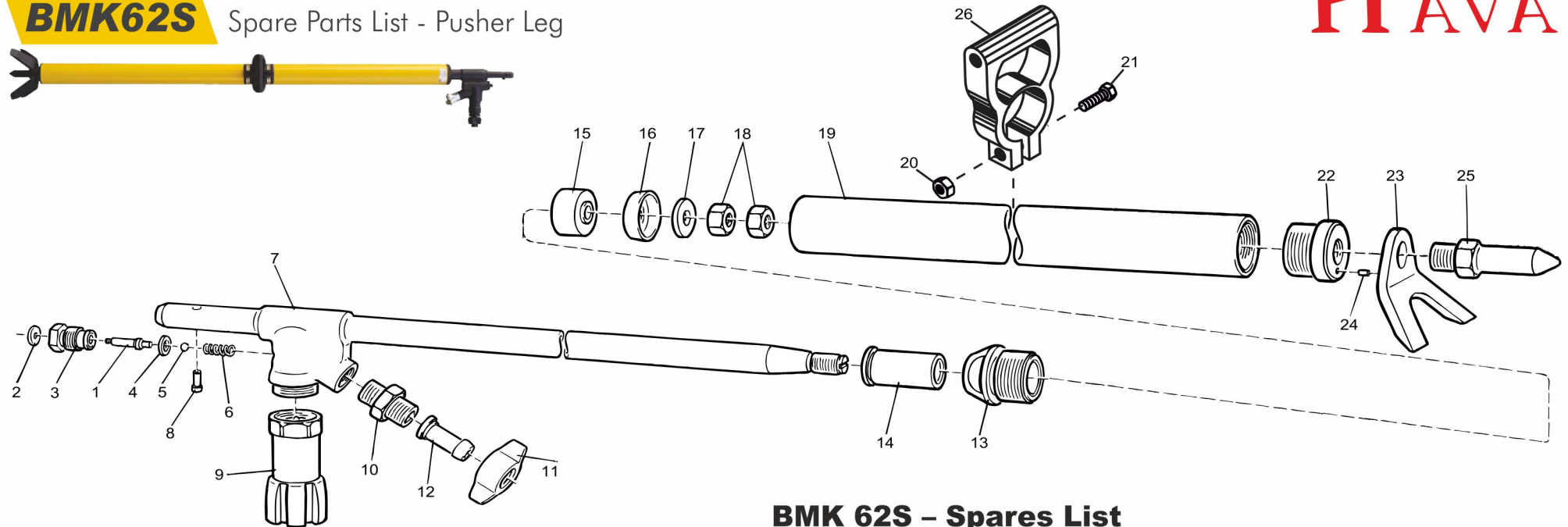


Right Choice. Right Price. Right Now.

www.havarockdrill.com



BMK62S Spare Parts List - Pusher Leg



BMK 62S – Spares List

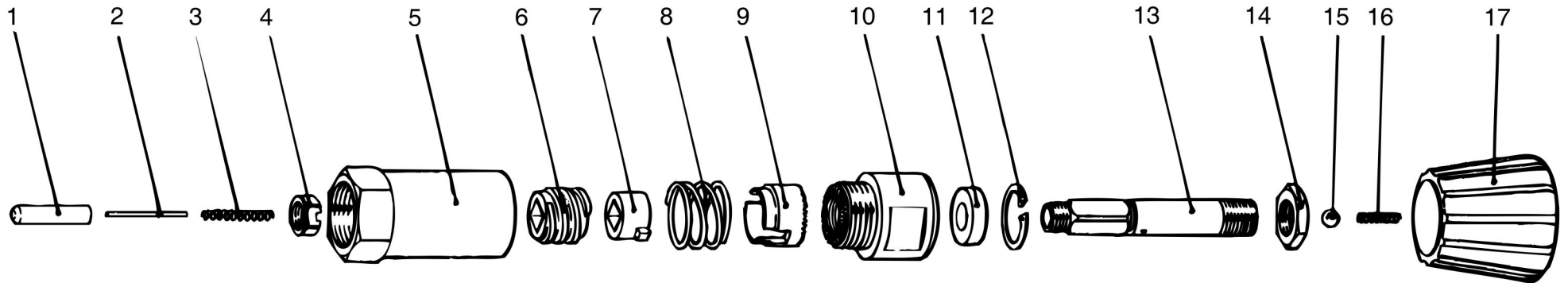
Pusher Legs

Ref No.	Part number	Qty	Description
• 1	3106 8256 80	1	Valve, compl.
2	-- *)	1	– Valve
3	3106 2698 00	1	– Button
• 4	3106 8255 00	1	– Valve sleeve
• 5	0653 1041 00	1	Gasket
• 6	0517 1414 00	1	Ball
• 7	3000 0353 00	1	Spring
• 8	3122 0368 00	1	Piston rod
• 9	3106 6757 00	1	– Pin
• 10	3106 7441 86	1	Throttle valve, compl. (See pg 3)
11	9000 0342 00	1	Nipple
12	9000 0337 00	1	Wing nut
13	9000 0323 00	1	Hose nipple 12.5 mm (1/2")
• 14	3122 0027 80	1	Guide socket, compl.
	-- *)	1	– Guide socket
	3122 0003 00	1	– Bushing

Ref No.	Part number	Qty	Description
15	3122 0030 00	1	Piston
• 16	3122 0029 00	1	Packing
• 17	3122 0031 00	1	Washer
• 18	3000 1348 02	2	Nut
19	3122 0042 00	1	Cylinder
20	0268 3108 00	1	Nut
• 21	0144 3367 00	1	Bolt
22	3122 0028 00	1	End piece
	3106 7349 80	1	Support, compl.
23	-- *)	1	– Support
• 24	3005 5114 07	1	– Pin
• 25	3101 3693 00	1	Stud
• 26	3122 0034 00	1	Handle
	3001 3676 81	1	Optional equipment Machine attachment for RH 656-4W/5W (See Pg 4)

• – Wear Parts should be available in stock for repair

BMK62S Spare Parts List - Pusher Leg



Throttle Valve Compl.

3106 7441 86

Ref No.	Part number	Qty	Description
• 1	3122 0390 00	1	Valve pin
• 2	3006 7751 00	1	Pin
• 3	3006 2700 00	1	Spring
4	3122 0389 00	1	Nut
5	3106 7441 00	1	Sleeve
• 6	3106 7446 00	1	Driver
7	3106 7647 00	1	Sliding piece
8	3122 0443 00	1	Spring
• 9	3106 7648 00	1	Washer
10	3106 7442 00	1	Guide socket
11	0666 4093 00	1	Seal ring
• 12	0335 2132 00	1	Circlip
• 13	3122 0388 00	1	Spindle
14	3106 8626 00	1	Nut
• 15	0517 1414 00	1	Ball
• 16	3051 2003 00	1	Spring
17	3122 0204 00	1	Hand wheel

◻ – Wear Parts should be available in stock for repair



BMK62S Spare Parts List - Pusher Leg



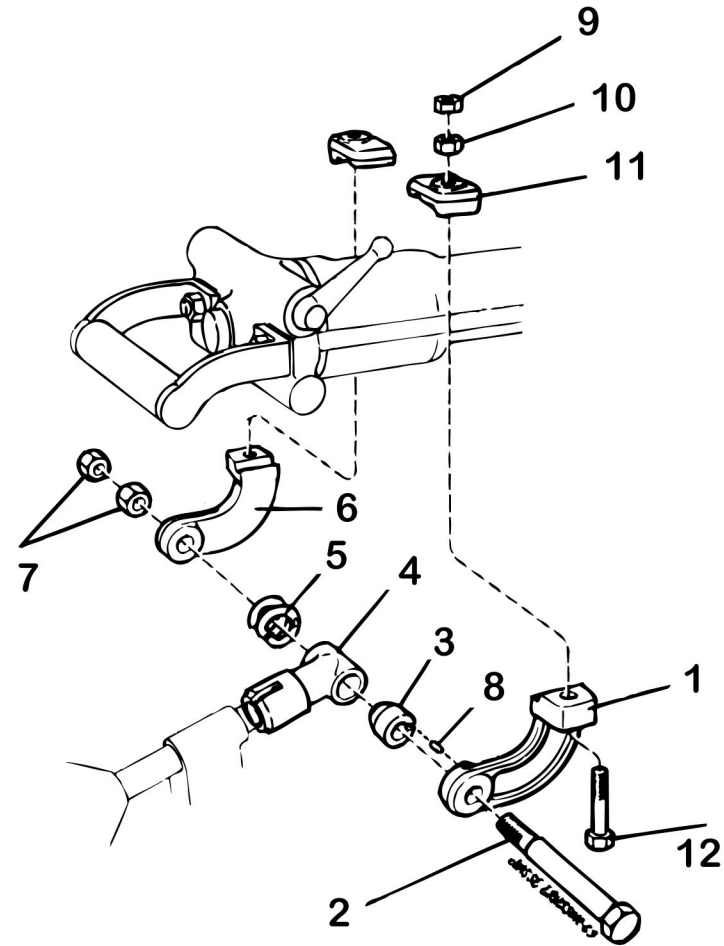
Machine attachment
Complete

3001 3676 81

for rock drills
RH 656-4W/5W

Ref No.	Part number	Qty	Description
1	3001 3676 01	1	Machine holder
2	3001 3684 01	1	Bolt
3	3001 3685 00	1	Washer
4	3001 3597 01	1	Feed Mount.
5	3000 9140 21	1	Spring
6	3001 3677 01	1	Machine holder
7	3000 1349 02	2	Nut
• 8	3005 5114 07	1	Pin
• 9	3106 9778 00	2	Nut
• 10	3000 1345 00	2	Nut
11	3101 3680 01	2	Clamp
• 12	3106 9777 00	2	Bolt

• – Wear Parts should be available in stock for repair



TECHNICAL SPECIFICATIONS

NET WEIGHT		LENGTH		LENGTH EXTENDED		EXTENSION LENGTH		PISTON DIAMETER	
kg	lb	mm	in	mm	in	mm	in	mm	in
17	37.5	1815	71.5	3115	124	1300	51	53	2.09

The Pusher Leg is used along with a Wet Rock Drill Machine in drifting and tunneling operations for inclined and horizontal drilling .

CONTACT

HARYROCK ENGINEERING PVT. LTD.

Mining and Rock Drilling Air Tools

A - 55, 'H' Block, MIDC, Pimpri, Pune - 411018 (India)
Phone : +91-20-30680044 / 55 | E-mail : haryrockengg@gmail.com
www.haryrock.com

Note: BMK62S & their part numbers are mentioned for reference purpose only.

www.havarockdrill.com